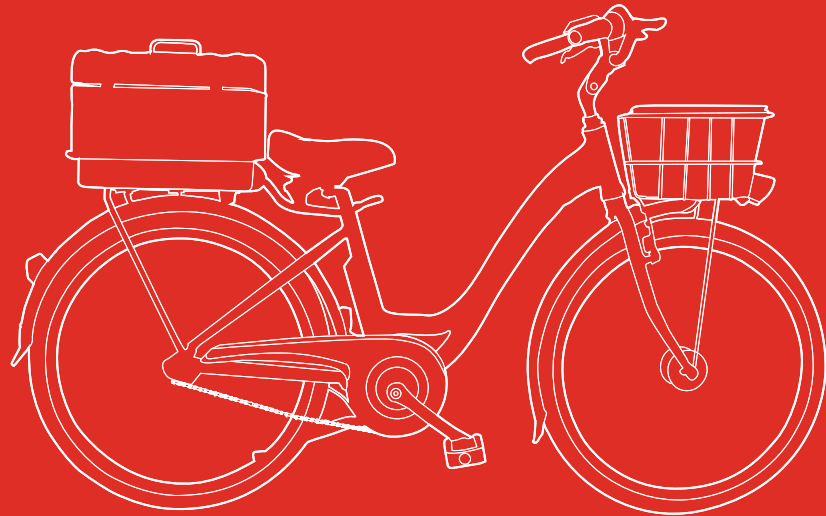


# Banff

Front & rear basket  
+  
light assembly



# RECOMMENDED TOOLS

Our very own eProdigy technical team recommends the following tools to for this task

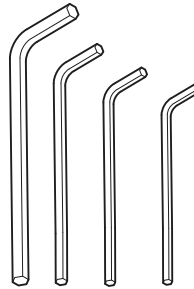
- 1 2.5mm, 3mm, 4mm, and 5mm Allen keys
- 2 Phillips screw driver
- 3 Crescent wrench

## ⚠ WARNING

Keep small parts away from children during assembly

## Note

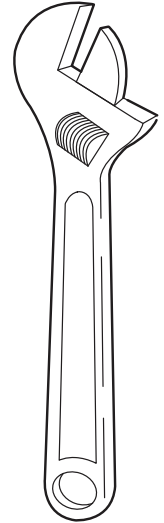
*Do not dispose the carton or packaging until the assembly of the bicycle is complete. This can prevent accidentally discarding parts of the bicycle.*



1



2



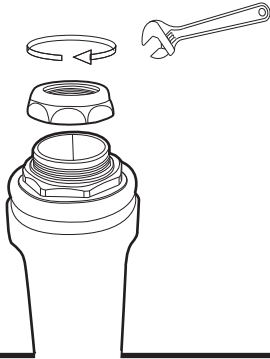
3



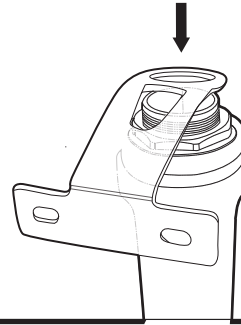
after you remove the stem

## Install the Head Set Mount

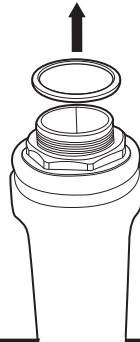
**1** Remove the lug nut from the head tube



**3** Replace spacer with head set mount

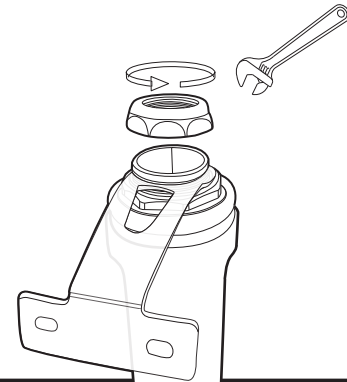


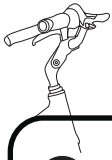
**2** Remove the spacer



*Note*  
The spacer is no longer needed

**4** Reattach the lug nut



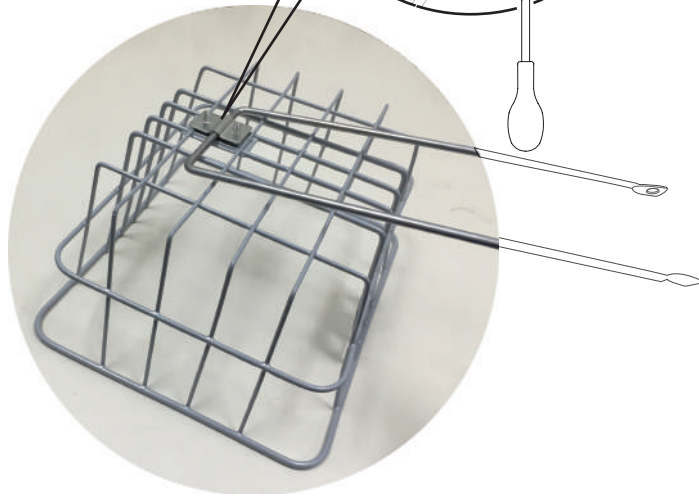
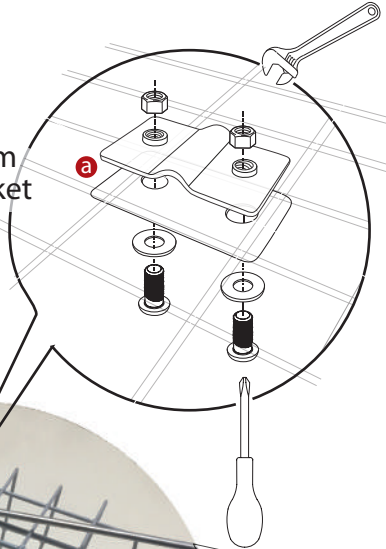


after you reattach the stem

## Install the Front Wire Basket

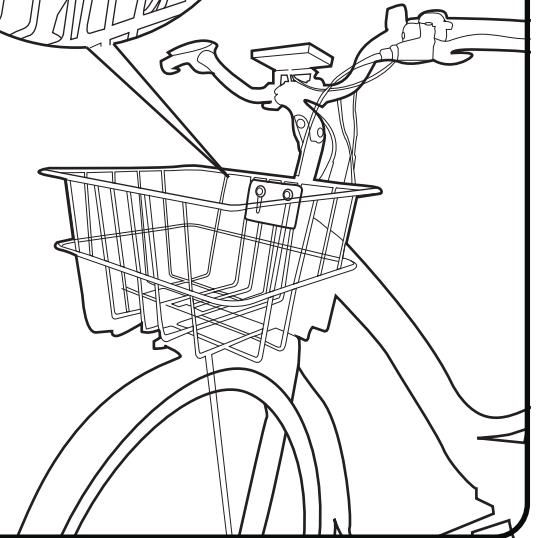
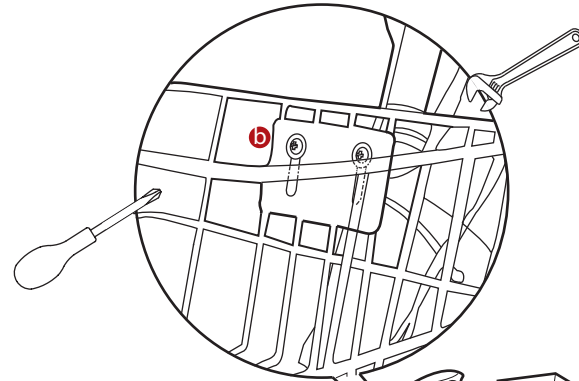
5

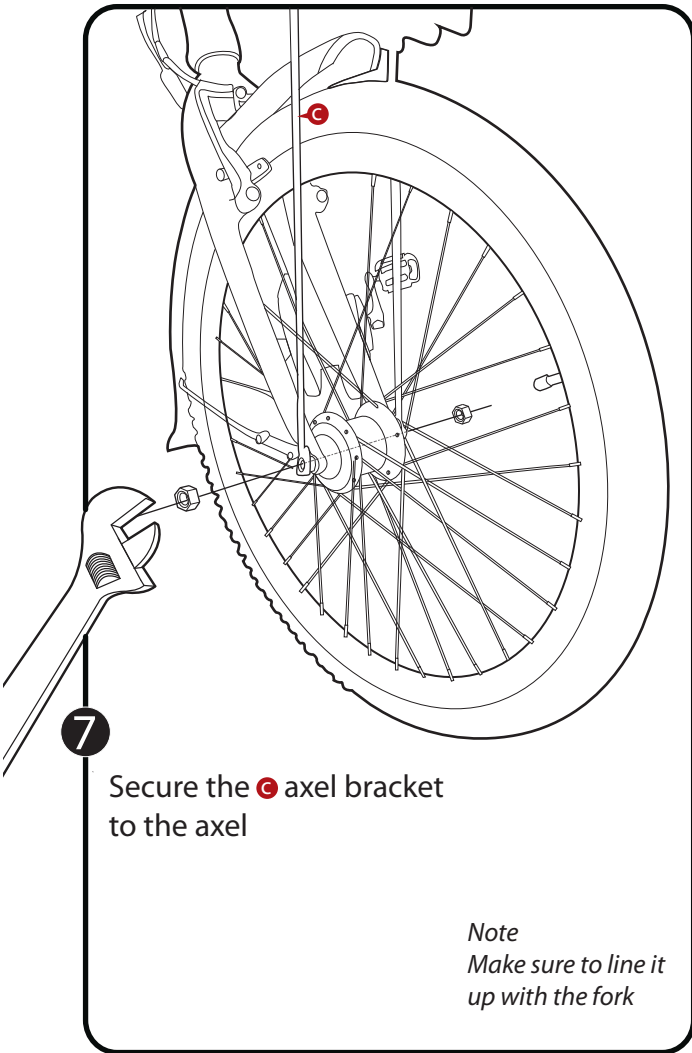
On a flat surface  
attach the **a** axle  
bracket to the bottom  
of the front wire basket



6

Secure the wire basket to the **b** head  
set mount using a Crescent wrench  
and Philips screw driver



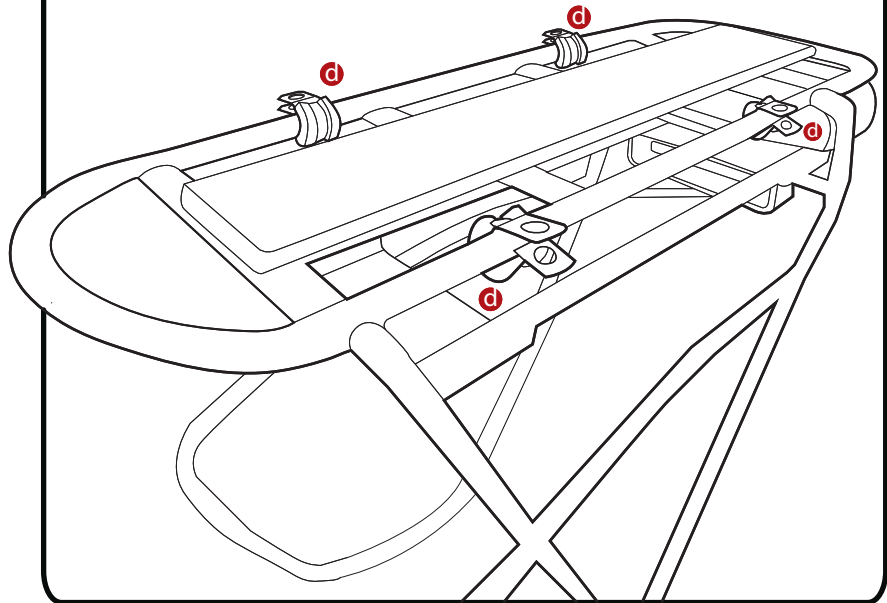


Once you've inserted the Front Wicker Basket into its wire frame, its time to ...  
*Install the Rear Basket*

8

Insert the **d** adjustable basket bracket mounts on the back rack.

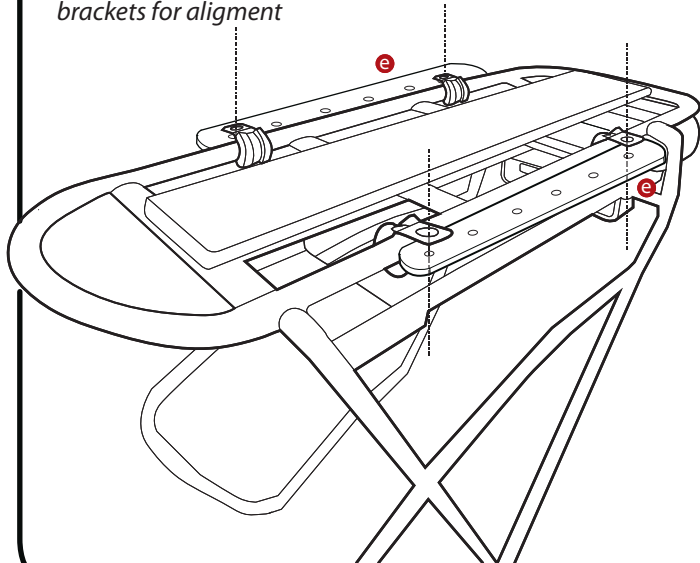
Squeeze the arms of the adjustable basket bracket mounts together till the holes align.



- 9 Place the **e** bottom basket brackets in the adjustable basket bracket mounts.

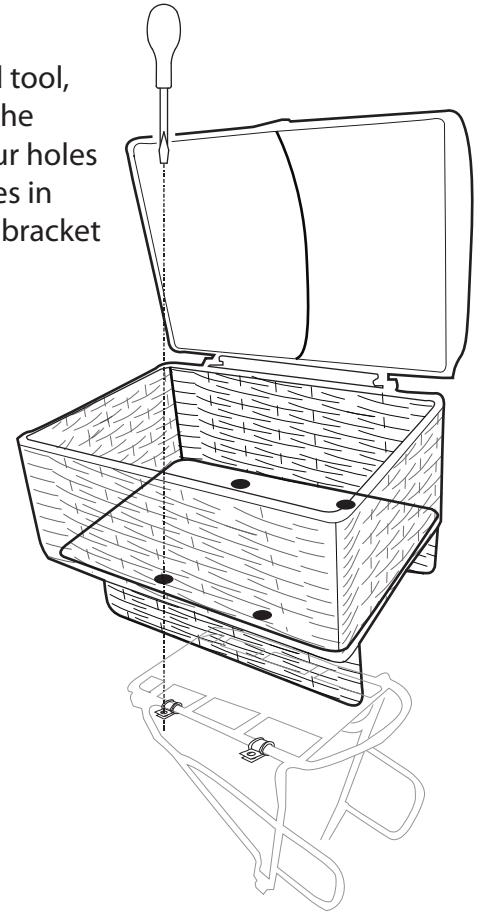
*Note*

*Use the end holes on the brackets for alignment*



10

- Using a flat headed tool, gently push apart the wicker to create four holes aligning to the holes in the bottom basket bracket mounts

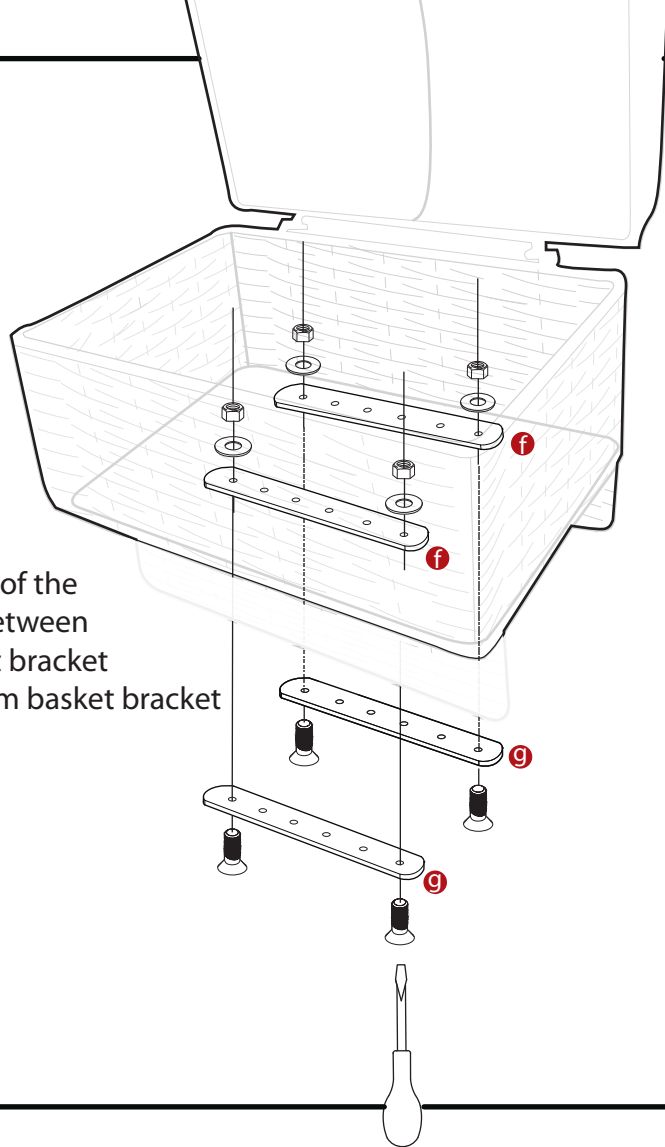


*Note*

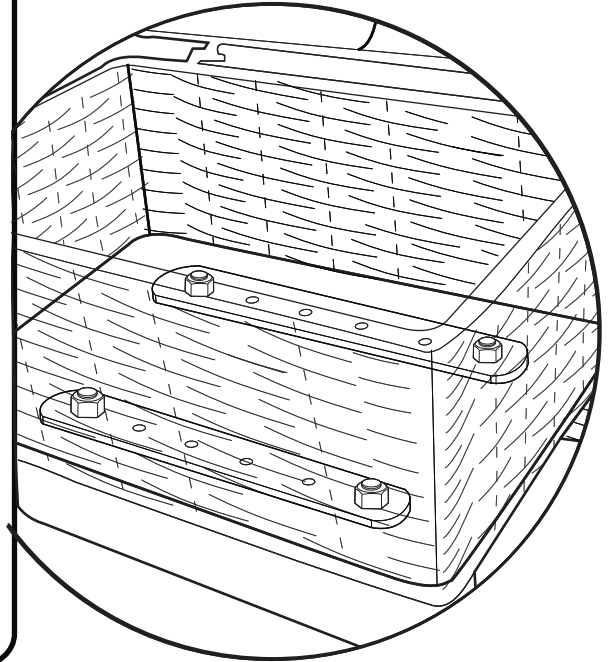
*Use a back and forth motion to create a hole*

11

Secure the base of the wicker basket between the **f** top basket bracket and the **g** bottom basket bracket

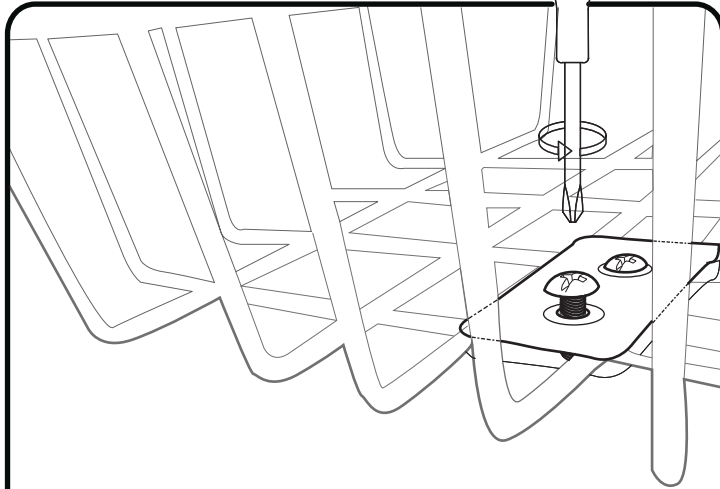


*Congratulations!  
That's it for the basket!  
You should end up with something like this.*



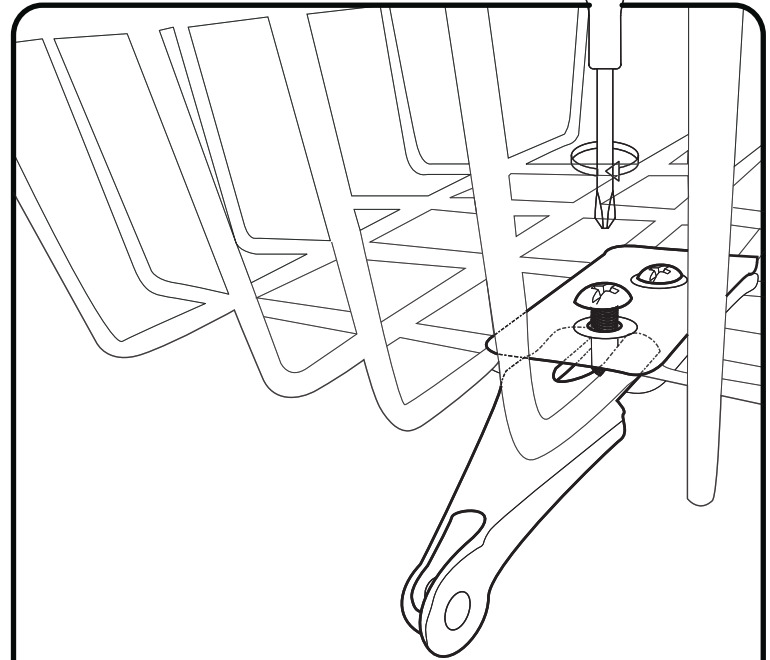
Now its time to ...

## Install the Front Light



12

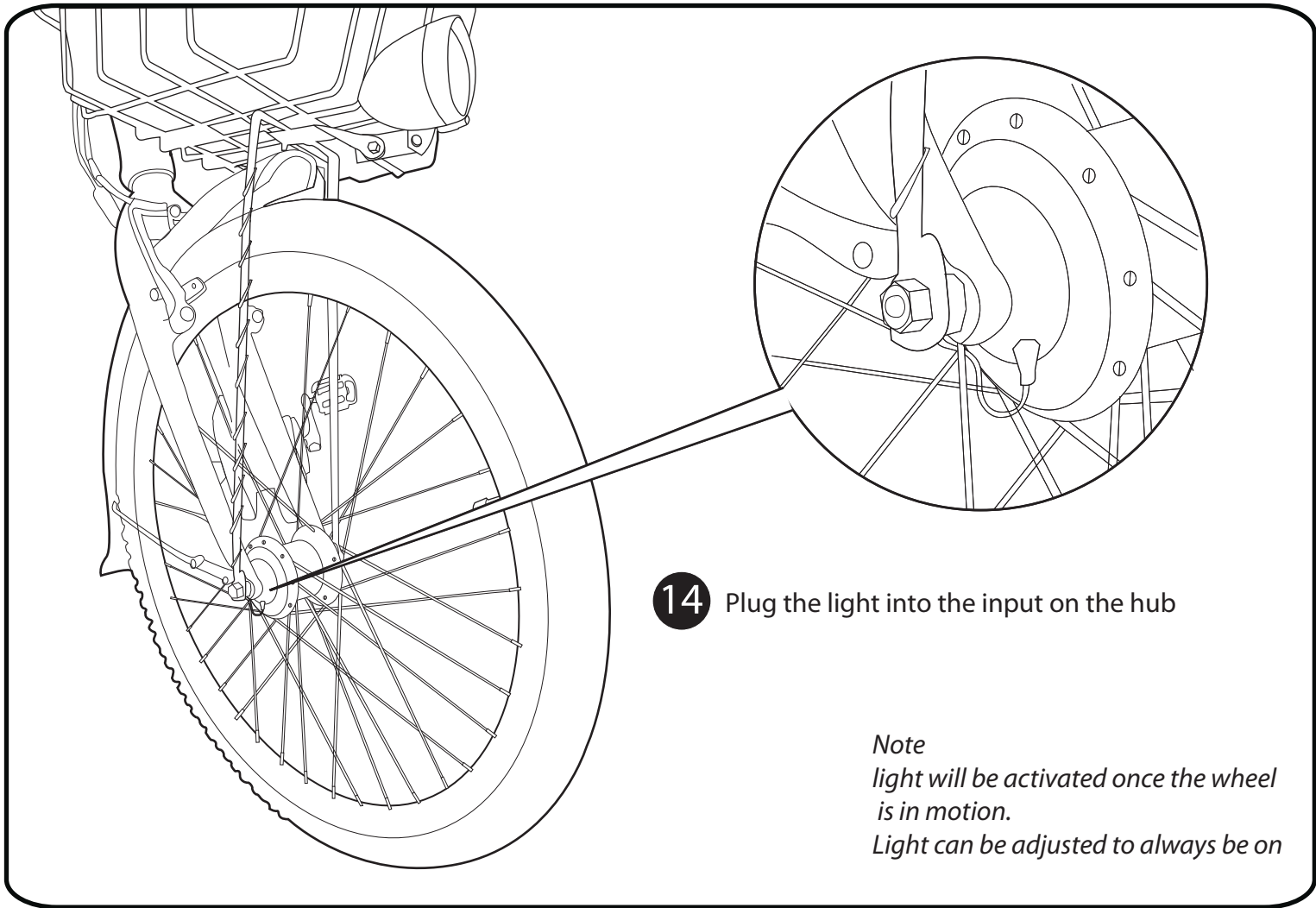
Loosen the first bolt securing the base of the front wire basket  
*making room for the basket bracket*



13

Secure the light bracket  
to the front wire basket





**14** Plug the light into the input on the hub

*Note  
light will be activated once the wheel  
is in motion.  
Light can be adjusted to always be on*

